



Midwest  
Designer  
Supply

[www.midwestdesignersupply.com](http://www.midwestdesignersupply.com)

888-523-2611  
262-524-1007 (fax)



Technical Catalog for Professionals

**WHITE EDITION**

[www.clairedeco.com](http://www.clairedeco.com)

**TEKNO FUNCTIONAL ROD SYSTEMS**

EURO-SCOPE..... 12

INVISIBLE ..... 9

KONTUR ALU ..... 8

KONTUR EVO ..... 6

NEXGEN ..... 16

NEXGEN APPLIQUE..... 17

TEKNO 25..... 13

TEKNO 40..... 15

TEKNO 40 WOOD ..... 14

URBAN 3 & 5..... 10

**TEKNO SHARED COMPONENTS..... 22**

**TRADITIONAL ENSEMBLES**

ADJUSTABLE ROD KITS - 5/8" - 1/2" ..... 28

ADJUSTABLE ROD KITS - 1" - 7/8" ..... 29

ARTIFIL KITS..... 38

BRASS 1" ..... 35

BRASS 1 1/8" ..... 36

BRASS 1 1/2" ..... 37

INFINETTE MEDALLIONS ..... 34

METRO 1 1/8" ..... 32

SIMPLICITÉ..... 26

WROUGHT IRON 3/4"..... 30

WROUGHT IRON 1" ..... 31

WROUGHT IRON 1 1/2" ..... 33

**BAY WINDOW PROGRAMS**

BAY WINDOWS TEKNO ..... 18

    KONTUR ALU..... 8

    KONTUR EVO..... 6

    TEKNO 25..... 13

BAY WINDOWS TRADITIONAL ..... 19

    ADJUSTABLE ROD KITS - 5/8" - 1/2" ..... 28

    ADJUSTABLE ROD KITS - 1" - 7/8" ..... 29

    SIMPLICITÉ..... 26

    WROUGHT IRON 3/4" ..... 30

**SUPPORTS**

**TEKNO FUNCTIONAL ROD SYSTEMS..... 21**

**TRADITIONAL ROD SYSTEMS..... 20**

**TECHNICAL INFORMATION FOR TEKNO PRODUCTS..... 23**

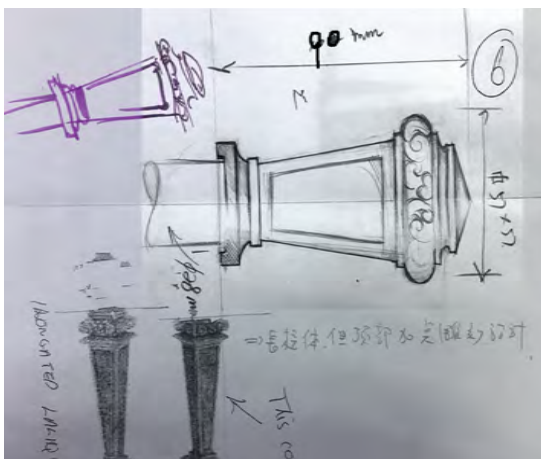
## Local | Canadian | Family

In 1992, brothers Ian and Joel decided to profit from an abundance of historical metal manufacturing and workmanship knowledge existing in Montreal, Quebec. This local industry allowed Claire deco to create a leading drapery hardware company.

Since then, Claire Deco has strongly believed in the “Shop Local” philosophy long before it became a trendy term. Claire Deco has continued to develop loyal relationships with local suppliers in Quebec, Canada and North America. We believe this desire to buy local contributes to the quality of our products, which to Ian and Joel, is more important than saving a few pennies at the expense of local jobs.

Today Claire Deco can proudly claim that 70% of its products are sourced within 100km of Montreal. Not only is an attitude like this great for the local economy as it encourages local manufacturing knowledge that has been passed down through generations, but it also reduces our carbon footprint and reduces waste.

Claire Deco is proud to claim one of the **largest selections of drapery hardware in North America**, if not the largest. Due to our unique just in time inventory systems, Claire Deco can deliver over **ONE MILLION** combinations of products within a very reasonable delivery time.



Claire Deco is devoted to customer satisfaction. We take great pride in ensuring our customers have a positive experience in furnishing their homes with our products. As a family owned and operated business, we understand that the home is a special place for building lasting memories and we intend for our products to contribute to that experience.



**FAMILY  
RUN**



**CANADIAN  
SOURCED**



**ARTISAN  
BUILT**



**SINCE  
1996**

# WAVE DRAPE HOOK SYSTEM

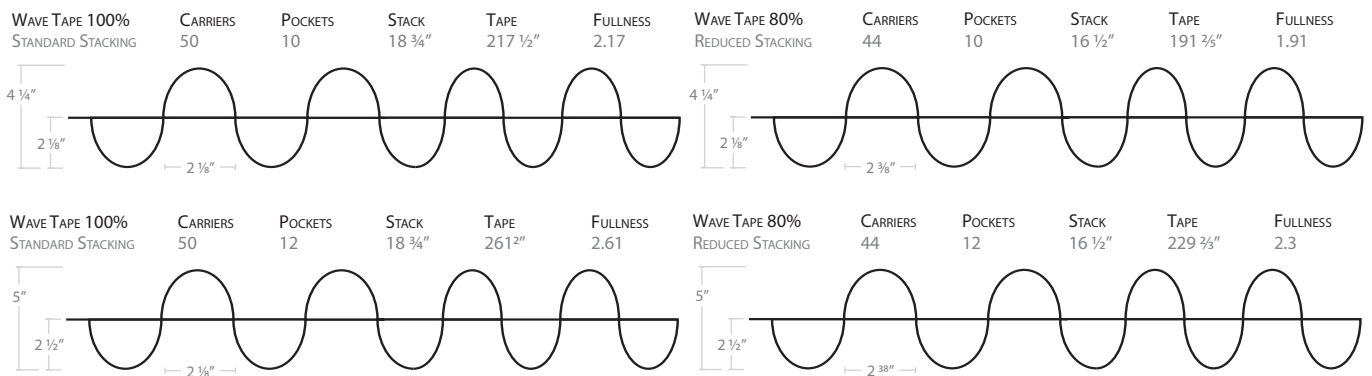


Wave Drape carriers use a unique **hook system** as opposed to the traditional snaps.

- Wave Hooks allow for more flexibility and ease of use.
- Easy installation, no force required to place hooks.
- Drapes can be washed even with hooks installed.
- Multiple fullness: 1.8 to 2.7 fullness.
- Change hook placements quickly after drape is made.

**i** Easily compute quantities using our online wave calculator for any rod length

## WAVE DRAPE ADVANTAGE™



## AVAILABILITY CHART

	EURO-SCOPE, TEKNO 25, TEKNO 40 WOOD, KONTUR ALU, URBAN 3 & 5		KONTUR EVO		TEKNO 40, NEXGEN, NEXGEN WOOD	
	Hand Draw	Corded	Hand Draw	Corded	Hand Draw	*Corded
Standard Wave Carrier	Y	Y	Y	N	Y	Y
Snap Carrier	Y	Y	Y	N	Y	Y
Deluxe Wave	N	N	N	N	Y	Y
Deluxe Snap	N	N	N	N	Y	Y

**\*NEXGEN CORDED TRACKS:**

MASTER CARRIERS WILL BE WITH A REGULAR FLAT OVERLAP.



**i** **Hidden Tab Tape** creates an undulating appearance with minimal work.



**i** **California Pleat Tape** creates a unique knife edge pleat.

## HOOKS, CARRIERS AND TAPE

### STANDARD WAVE™ CARRIERS



HMP5180	80%
HMP5060	100%
HMP5140	120%

*Hooks included*

### DELUXE WAVE CARRIER



HMP5570	80%
HMP5500	100%
HMP5510	120%

*Only for Nexgen, Nexgen Wood and Tekno 40 rails  
Hooks included*

### STANDARD SNAP CARRIERS



HMP5080	80%
HMP5200	100%
HMP5120	120%

### DELUXE SNAP CARRIERS



HMP5580	80%
HMP5540	100%
HMP5590	120%

*Only for Nexgen, Nexgen Wood and Tekno 40 rails*

### FRONT LOAD SNAP CARRIERS



HMP5390-W	80%
HMP5300-W	100%
HMP5370-W	120%



**HMP7080**  
WAVE TAPE  
*Hooks not included*



**HMP7070**  
SNAP TAPE



**HMP7060**  
HIDDEN TAB TAPE



**HMP7100**  
CALIFORNIA PLEAT TAPE



**HMP5090**  
WAVE HOOK  
*(100 per box)*

**i**

**Questions?  
Comments?  
Need help?**

Visit  
[clairedeco.com](http://clairedeco.com)

Call us  
514-340-1250  
or  
1-800-361-4584

Send us an  
email  
[info@clairedeco.com](mailto:info@clairedeco.com)

# KONTUR EVO



VISIT  
[WWW.CLAIREDECO.COM](http://WWW.CLAIREDECO.COM)  
 FOR ALL AVAILABLE SIZES AND OPTIONS

## ROD COLORS



**BW**  
BARN WOOD

**CL**  
CHOCOLATE

**CS**  
CASSIS

**CT**  
COTTON

**DK**  
DUSK

**E**  
EBONY

**I**  
IVORY



**MC**  
MONACO

**MD**  
MIDNIGHT

**PR**  
PEARL

**SM**  
SMOKE

**TR**  
TRUFFLE

**WE**  
WENGE

**WF**  
WINTER FUN

**i**

Made from **Canadian Poplar Wood** and covered with high density **Tekno Wrap**.

**Supports** for Euro-Scope see page 21.

CORDED SYSTEMS

HAND DRAW

ONE WAY

CENTER



ENSEMBLE INCLUDES:  
RODDING, CLIC GLIDES, AND FLING WAND.

*EXTRA FLING WAND FOR CENTER OPENING  
DRAPES IS SOLD SEPARATELY.*



ENSEMBLE INCLUDES:  
RODDING, CLIC GLIDES, AND PULLEY



KONTUR EVO

FINIALS



**Available colors**  
Endcaps, Overture & Flex corner

HTP0010 - ENDCAP  
HTP0040 - OUVERTURE (PAIR)



**A**  
ANTIQUE



**BN**  
BURNT NICKEL



**CR**  
CHROME



**G**  
GRAPHITE



**S**  
STAINLESS



**SH**  
SAHARA



**VB**  
VINTAGE BRASS

RETURNS



**FLEX CORNER**  
HTP0160  
*Allows flexibility in corners.  
Adjustable from 10° to 80°.*



**QUADRA**  
HTP0092 - QUADRA 2  
HTP0094 - QUADRA 4  
HTP0096 - QUADRA 6  
*Return determined by size of support;  
Kontur Support 2", 4" & 6"  
Each return adds 1/4" to rod length.*

**AVAILABLE COLORS:** AS, DW



**HTP0120**  
REVERSE CORNER  
*Sold as ensembles with choice of support.  
See price-list for ordering instructions.*



**KONTUR RETURN**  
HTP0112 - KONTUR RETURN 2  
HTP0114 - KONTUR RETURN 4  
HTP0116 - KONTUR RETURN 6  
*Return determined by size of support;  
Kontur Support 2", 4" & 6"  
Each return adds 1" to rod length.*



**HTP0110**  
KONTUR CENTER CAP  
*For rods greater than 106" the Center Cap is included automatically.  
Center Caps can be ordered separately for inside installations, as a finial.*

**i**

See page 19  
for  
Kontur EVO  
Bay Window  
and  
Corner  
Program  
options.

# KONTUR ALU



VISIT  
[WWW.CLAIREDECO.COM](http://WWW.CLAIREDECO.COM)  
 FOR ALL AVAILABLE SIZES AND OPTIONS

## CORDED SYSTEMS

### HAND DRAW



ENSEMBLE INCLUDES:  
 RODDING, CLIC GLIDES, AND FLING WAND.

*EXTRA FLING WAND FOR CENTER OPENING DRAPES IS SOLD SEPARATELY..*

### ONE WAY



ENSEMBLE INCLUDES:  
 RODDING, CLIC GLIDES, AND PULLEY

### CENTER



## FINIALS



## RETURNS

ALU RETURN  
 HTP0082 - ALU RETURN 2  
 HTP0084 - ALU RETURN 4  
 HTP0086 - ALU RETURN 6  
*Return determined by size of support; Kontur Support 2", 4" & 6"*



QUADRA  
 HTP0092 - QUADRA 2  
 HTP0094 - QUADRA 4  
 HTP0096 - QUADRA 6  
*Return determined by size of support; Kontur Support 2", 4" & 6"*



ALU REVERSE CORNER  
 HTP0120  
*FOR 90° ANGLES ONLY*



ALU FLEX CORNER  
 HTP0160  
*ALLOWS RAILS TO MEET AT AN ANGLE OF 10° TO 80°*



## COLORS

Rods,  
 supports  
 & finials



AS  
 ANTIQUE SILVER



DW  
 BLACK



HV  
 HARVEST



OB  
 OIL RUBBED BRONZE



TA  
 TAUPE



W  
 WHITE

## i

Kontur Alu is a **technically intricate** feat of **engineering** for a drapery rod.

It offers **extremely strong** lateral support for wider expanses.

See page 19 for Kontur EVO Bay Window and Corner Program options.





Visit  
[WWW.CLAIREDECO.COM](http://WWW.CLAIREDECO.COM)  
 FOR ALL AVAILABLE SIZES AND OPTIONS

CORDED SYSTEMS

HAND DRAW                      ONE WAY                      CENTER



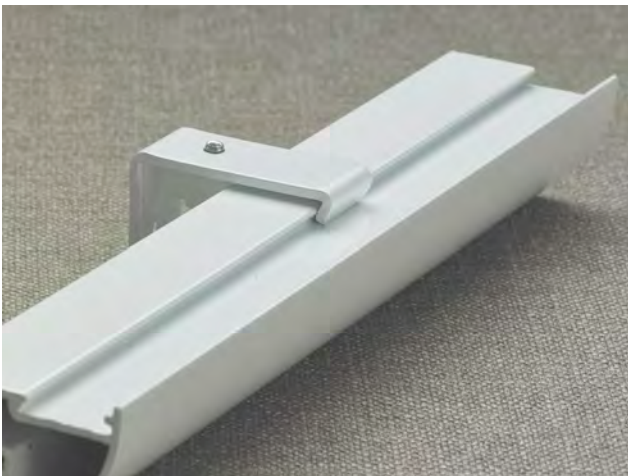
ENSEMBLE INCLUDES:  
 RODDING, CLIC GLIDES, FLING WAND AND ENDCAPS.  
**EXTRA FLING WAND FOR CENTER OPENING  
 DRAPES IS SOLD SEPARATELY.**

ENSEMBLE INCLUDES:  
 RODDING, CLIC GLIDES, PULLEY AND ENDCAPS

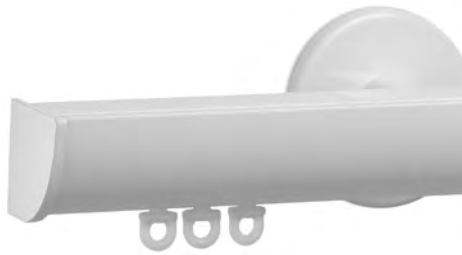
ROD, FINIAL & SUPPORT COLORS

UNOBTRUSIVE DESIGN

**Invisible Tekno™ System** was created to be compact for an unobtrusive design.  
 A rail installed with an **Invisible Short Projection Support** projects 1 1/2" from the wall.  
 A rail installed with an **Invisible Simple** or **Clic Ceiling Support** installs flush to the ceiling with zero light-gap.



W  
 WHITE



AS  
 ANTIQUE  
 SILVER



DW  
 BLACK



**i** Factory makes all deductions for the endcap

**i**

Looking for a rod that is the perfect choice for **Ceiling to Floor** curtains?

Invisible can be installed **flush** with the ceiling for **no light gap!**

## VALANCE ONLY



ENSEMBLE INCLUDES:  
VALANCE, 2 RETURNS, & SUPPORTS  
**CEILING SUPPORTS SOLD SEPARATELY.**

## HAND DRAW



ENSEMBLE INCLUDES:  
VALANCE, RETURNS, CLIC GLIDES, FLING WAND & SUPPORTS.  
**CEILING SUPPORTS SOLD SEPARATELY.**  
**EXTRA FLING WAND FOR CENTER OPENING DRAPES IS SOLD SEPARATELY.**

## ONE WAY & CENTER DRAW

## CORDED SYSTEMS



ENSEMBLE INCLUDES:  
VALANCE, RETURNS, CLIC GLIDES, PULLEY & SUPPORTS.  
**CEILING SUPPORTS SOLD SEPARATELY.**

## VALANCE ENSEMBLES



### URBAN 5 RETURN OPTIONS

SHOWN IN RETURN 5.5 AND IN DULL ARGENTO (DA)

#### RETURN 3

RETURN SIZE: 3" LENGTH X 5" HEIGHT X 1/4" WIDTH

#### RETURN 5.5

RETURN SIZE: 5 1/2" LENGTH X 5" HEIGHT X 1/4" WIDTH

#### RETURN 7.5

RETURN SIZE: 7 1/2" LENGTH X 5" HEIGHT X 1/4" WIDTH

### URBAN 3 RETURN OPTIONS

SHOWN IN RETURN 5.5 AND IN BLACK (DW)

#### RETURN 3

RETURN SIZE: 3" LENGTH X 3" HEIGHT X 1/4" WIDTH

#### RETURN 5.5

RETURN SIZE: 5 1/2" LENGTH X 3" HEIGHT X 1/4" WIDTH

#### RETURN 7.5

RETURN SIZE: 7 1/2" LENGTH X 3" HEIGHT X 1/4" WIDTH

## SUPPORTS



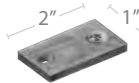
**HUP6030**  
SUPPORT U-3  
2 1/4" interior projection, from wall to valance.



**HUP6050**  
SUPPORT U-5.5  
5 7/8" interior projection, from wall to valance.



**HUP6070**  
SUPPORT U-7.5  
6 7/8" interior projection, from wall to valance.



**HUP6080**  
URBAN CEILING SUPPORT  
Available with all kits.

## COLORS



Valance: complete list below  
Returns: DA, DW



PAINTABLE SURFACE



AH  
ASH

AU  
AUTUMN

BD  
BEACHWOOD

BC  
BÉCHAMEL

CF  
CAFÉ

DU  
DUNE

LT  
LATITUDE

MY  
MYSTIQUE

RV  
RIVA

SV  
SILVA

TB  
TIMBER

CV  
CANVAS



SINGLE WAVE - VALANCE ROD



SINGLE WAVE - VALANCE



DOUBLE WAVE



SINGLE PLEATED DRAPE - VALANCE ROD



SINGLE PLEATED DRAPE - VALANCE

*WHEN USING URBAN 3, ENSURE PLEATS DO NOT EXTEND BELOW VALANCE.*



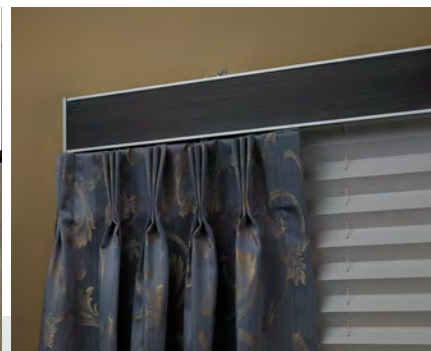
DOUBLE PLEATED DRAPE



SINGLE SHADE - VALANCE



SHADE + WAVE



SHADE + PLEATED DRAPE

## COMPATIBILITY

CONFIGURATIONS	SPECIAL REQUIREMENTS	3" RETURN	5.5" RETURN	7.5" RETURN	CEILING SUPPORT (For all Return lengths)
Single Wave - valance rod	None	Yes	Yes	Best w/ 3 or 5.5" Re.	Yes
Single Wave - valance	Euro/Nexgen Rods	No	Yes	Best w/ 5.5" Return	Yes
Single Pleated Drape - valance rod	None	Yes	Yes	Best w/ 3 or 5.5" Re.	Yes
Single Pleated Drape - valance	Euro/Nexgen Rods	Yes	Yes	Best w/ 3 or 5.5" Re.	Yes
Single Shade Product - valance	1.75" Clearance	Yes (1.75" Clearance)	Yes	Best w/ 5.5" Return	Yes
Double Wave	Euro/Nexgen Rods	No	No	Yes	Yes
Double Pleated Drape	Euro/Nexgen Rods	No	Yes	Best w/ 5.5" Return	Yes
Shade + Wave Product	Verify supports	Yes (1.75" Clearance)	Yes	Best w/ 5.5" Return	Yes
Shade + Pleated Drape	Verify supports	Yes (1.75" Clearance)	Yes	Best w/ 5.5" Return	Yes

# EURO-SCOPE



Visit  
[WWW.CLAIREDECO.COM](http://WWW.CLAIREDECO.COM)  
 FOR ALL AVAILABLE SIZES AND OPTIONS

## CORDED SYSTEMS

### HAND DRAW



ENSEMBLE INCLUDES:  
 RODDING, CLIC GLIDES, AND FLING WAND.

*EXTRA FLING WAND FOR CENTER OPENING DRAPES IS SOLD SEPARATELY.*

### ONE WAY



ENSEMBLE INCLUDES:  
 RODDING, CLIC GLIDES, AND PULLEY.

### CENTER



*EURO-SCOPE IS CLAIRE DECO'S DEFAULT BACK ROD. IT CAN ALSO BE USED AS A DOUBLE ROD SYSTEM (EURO-SCOPE UPGRADE)*



USED AS A BACK ROD



AS A DOUBLE ROD SYSTEM

## i

*Euro-scope rods offer a slim line profile for light to medium weight drapes using a low-profile aluminum rod that offers a modern and minimalist appearance.*

*Euro-scope rods are finished with Perma-Glide for the smoothest traversing in the industry*

**i**

**Euro Scope** is a classic curtain rod.

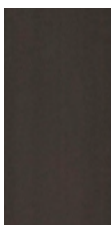
Simple and light in appearance yet robust in function.

Great choice for Double Rods!

## ROD & SUPPORT COLORS



AS  
 ANTIQUE SILVER



BR  
 BRONZE



DW  
 BLACK



W  
 WHITE

# TEKNO 25

1 1/8" DIAMETER



VISIT  
[WWW.CLAIREDECO.COM](http://WWW.CLAIREDECO.COM)  
 FOR ALL AVAILABLE SIZES AND OPTIONS

## CORDED SYSTEMS

HAND DRAW

ONE WAY

CENTER



ENSEMBLE INCLUDES:  
 RODDING, CLIC GLIDES, AND FLING WAND.

*EXTRA FLING WAND FOR CENTER OPENING  
 DRAPES IS SOLD SEPARATELY.*



ENSEMBLE INCLUDES:  
 RODDING, CLIC GLIDES, AND PULLEY.



## ROD & SUPPORT COLORS



AS  
 ANTIQUE SILVER



CH  
 CHAMPAGNE



DW  
 BLACK



MR  
 MAROON



OB  
 OIL RUBBED BRONZE

C-RINGS

AVAILABLE COLORS:  
 AS, CH, DW, MR, OB

## FINIALS



**BALL 28**  
 HFP0048  
 3 3/8" L X 2 1/8" DIA.  
 Shown in Champagne



**BLING**  
 HFP0498  
 2 1/4" L X 1 3/4" DIA.  
 Shown in Antique Silver



**DURAND**  
 HAP0778  
 3 1/8" L X 2 3/8" DIA.  
 Shown in Maroon



**EMPIRE**  
 HFP0548  
 7/8" L X 1 5/8" DIA.  
 Shown in Black



**JIBOO**  
 HAP0758  
 3 1/2" L X 2" DIA.  
 Shown in Antique Silver



**LINEA**  
 HFP0568  
 4" L X 2 1/8" DIA.  
 Shown in Champagne



**OVAL 28**  
 HFP0468  
 2 1/8" L X 2 1/8" DIA.  
 Shown in Black



**TRANS LU**  
 HFP0538  
 4" L X 2 1/8" DIA.  
 Shown in Oil Rubbed Bronze

**i**  
**Tekno 25**  
 The beauty of wrought iron with the functionality of technical engineering.  
 Tekno 25 is one of several rod choices for bay windows.  
 Please see page 18 or [clairedeco.com](http://clairedeco.com) for options.

# TEKNO 40 WOOD

1 1/2" DIAMETER



Visit [WWW.CLAIREDECO.COM](http://WWW.CLAIREDECO.COM)  
FOR ALL AVAILABLE SIZES AND OPTIONS



HAND DRAW

ONE WAY

CENTER DRAW

ENSEMBLE INCLUDES:  
RODDING, CLIC GLIDES, AND FLING WAND.

*EXTRA FLING WAND FOR CENTER OPENING  
DRAPES IS SOLD SEPARATELY.*

ENSEMBLE INCLUDES:  
RODDING, CLIC GLIDES, AND PULLEY

## COLORS



BW  
BARNWOOD

CS  
CASSIS

CL  
CHOCOLATE

CT  
COTTON

DK  
DUSK

E  
EBONY

I  
IVORY

MC  
MONACO



HTP0014  
TEKNO 40 ENDCAP  
1/2" length x 1 5/8" diameter  
Shown in Vintage Brass



MD  
MIDNIGHT

PR  
PEARL

SM  
SMOKE

TR  
TRUFFLE

WF  
WINTER

T40  
TORRIFIED 40

T80  
TORRIFIED 80



HTP0304  
TEKNO 40 GARIBALDI  
3 3/4" length x 2 5/8" diameter  
Shown in Antique

## FINIALS



A  
ANTIQUE

BN  
BURNT NICKLE

CR  
CHROME

G  
GRAPHITE

SH  
SAHARA

S  
STAINLESS

VB  
VINTAGE BRASS



### TORRIFIED WOOD

The T40 & T80 rods bring an aromatic forest into your home.

Chemical free, rich colors & a natural wood smell.

*NATURAL KNOTS AND COLOR VARIATIONS MAY APPEAR.*

# TEKNO 40

1 1/2" DIAMETER



Visit  
[WWW.CLAIREDECO.COM](http://WWW.CLAIREDECO.COM)  
 FOR ALL AVAILABLE SIZES AND OPTIONS

## CORDED SYSTEMS

### HAND DRAW



ENSEMBLE INCLUDES:  
 RODDING, NEXGEN GLIDES, AND FLING WAND.

*EXTRA FLING WAND FOR CENTER OPENING DRAPES IS SOLD SEPARATELY.*

### ONE WAY



ENSEMBLE INCLUDES:  
 RODDING, NEXGEN GLIDES, AND PULLEY

### CENTER DRAW



## COLORS



AS  
 ANTIQUE SILVER



DW  
 BLACK



MR  
 MAROON



SD  
 SANDAL



SN  
 SIENNA

## FINIALS



ARON  
 SHOWN IN SIENNA  
 HTP0204



CENTRALIA  
 SHOWN IN SANDAL  
 HTP0214



ELFIN  
 SHOWN IN MAROON  
 HTP0284



GARIBALDI  
 SHOWN IN ANTIQUE SILVER  
 HTP0304



MELROSE  
 SHOWN IN ANTIQUE SILVER  
 HTP0274



TAMA 40  
 SHOWN IN DISTRESSED WOOD  
 HTP0294



TAPPO 40  
 SHOWN IN SIENNA  
 HTP0264



**Tekno 40** is classical large scale opulent beauty with rich colors.

Strong, robust and perfect for heavy curtains.

# NEXGEN



## CORDED SYSTEMS

### HAND DRAW



ENSEMBLE INCLUDES:  
RODDING, NEXGEN GLIDES, AND FLING WAND.

*EXTRA FLING WAND FOR CENTER OPENING DRAPES IS SOLD SEPARATELY.*

### ONE WAY



ENSEMBLE INCLUDES:  
RODDING, NEXGEN GLIDES, AND PULLEY

### CENTER DRAW



## COLORS



BR  
BRONZE

AS  
ANTIQUÉ SILVER

W  
WHITE

DW  
BLACK

## OPTIONAL ENDCAP



BR  
BRONZE

AS  
ANTIQUÉ SILVER

W  
WHITE

DW  
BLACK

HTP00170  
NEXGEN ENDCAP

**i**  
Your basic traverse rod for heavy duty work.

Unyielding function with a simple twist of refinement.



Add color to your Nexgen for more style and design!



S  
STAINLESS

BA  
BRUSHED  
ALUMINIUM

K  
BLACK

Z  
ZEBIRANO

AU  
AUTUMN

BC  
BECHAMEL

E  
EBONY

P  
PEWTER

R  
ROUGE

SM  
SMOKE

COLORS



**i** Shown on Bronze rail. Rail also available in Antique Silver, White and Black.

Available with Nexgen and Nexgen Applique



To create a double rod, order two single rods with quantity of supports needed.

DOUBLE ROD



HMP6260  
HD DOUBLE ADJUSTABLE  
Front Rod :  
6 3/4" to 8" adj.  
projection (wall to rod)  
Back Rod:  
5/8" to 2" adj.  
projection (wall to rod)



HMP6240  
HD DOUBLE SUPPORT  
Front Rod :  
5" projection (wall to rod)  
Back Rod:  
5/8" to 2" adj.  
projection (wall to rod)

NEXGEN APPLIQUE



Questions?  
Comments?  
Need help?

Visit  
clairedeco.com

Call us  
514-340-1250  
or  
1-800-361-4584

Send us an  
email  
info@  
clairedecoinc  
.com

## TEKNO 25

HFP7018  
CORNER 28  
From 90 - 180°

FLEXIBLE CORNER PIVOTS FROM 90 TO 180 DEGREES.  
CARRIERS DO NOT TRAVERSE THE CORNER.

 AVAILABLE COLORS: AS, CH, DW, MR, OB



## KONTUR EVO



FLEX CORNER  
ALLOWS RAILS TO MEET AT 10 TO 80°  
Drapes will not traverse corner

 AVAILABLE COLORS FLEX AND REVERSE CORNERS: A, BN, CR, G, S, SH, VB



REVERSE CORNER  
FOR 90° CORNERS  
Drapes will not traverse corner

## KONTUR ALU

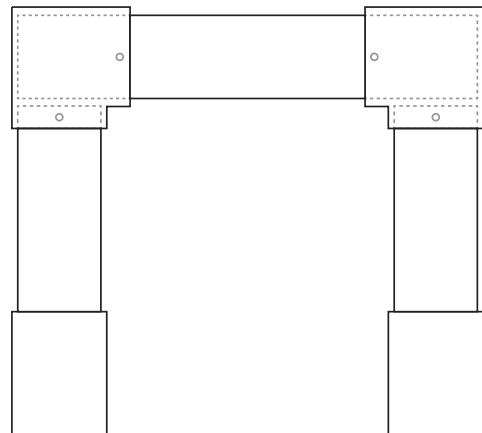


FLEX CORNER  
ALLOWS RAILS TO MEET AT 10 TO 80°  
Drapes will not traverse corner



REVERSE CORNER  
FOR 90° CORNERS  
Drapes will not traverse corner

KONTUR Evo & ALU REVERSE CORNER  
Deduct 1" from lateral rods



 AVAILABLE COLORS FLEX AND REVERSE CORNERS: AS, DW, HV, OB, TA, W



SIMPLICITÉ



HFP7018  
CORNER 28  
From 90° - 180°

FLEXIBLE CORNER PIVOTS FROM 90 TO 180 DEGREES.  
RINGS DO NOT TRAVERSE THE CORNER.

AVAILABLE COLORS: A, CR, DW, OB, S

FLEXIBLE CORNER PIVOTS FROM 90 TO 180 DEGREES.  
RINGS DO NOT TRAVERSE THE CORNER.

SAN FRANCISCO CORNER - ADJUSTABLE (5/8" - 1/2")

CODE	WALL ROD	WING RODS
HAA2818	28" - 48"	18" - 32"
HAA2828	28" - 48"	28" - 48"
HAA4818	48" - 84"	18" - 32"
HAA4828	48" - 84"	28" - 48"
HAP7707	SAN FRANCISCO CORNER 5/8" DIAMETER	



FLEXIBLE CORNER PIVOTS FROM 90 TO 180 DEGREES

AVAILABLE COLORS: A, K, S

**i** **Ensembles include:**  
(1) adjustable wall rod, (2) adjustable wing rods,  
(2) San Francisco Corners, (4) supports  
**(Finials Sold separately)**

SAN FRANCISCO INFINITE - WROUGHT IRON 3/4"



FLEXIBLE CORNER PIVOTS  
FROM 90 TO 180 DEGREES

HAP7707 - 5/8"  
HFP7702 - 3/4"  
SAN FRANCISCO CORNER

AVAILABLE COLORS: A, K, P



HFP7017 - 5/8"  
HFP7012 - 3/4"  
NYLON PLUG

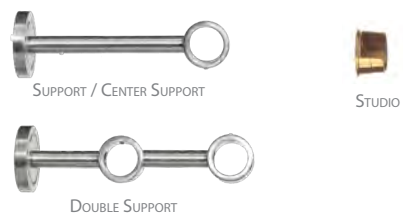
## SIMPLICITÉ

STYLE	CODE
STAHL SUPPORT 2"	HFP6128
STAHL SUPPORT 4"	HFP6148
STAHL SUPPORT 6"	HFP6178
COMBO SUPPORT SELECT 28	HAM6008
LATERAL SUPPORT 28	HFP6168
TEKNO DOUBLE SUPPORT 4"	HTP6228
TEKNO DOUBLE SUPPORT 6"	HTP6238



## BRASS 1"

STYLE	CODE
STUDIO (INSIDE MOUNT) SUPPORT 2"	HBP6605
SUPPORT 4 3/4"	HBP6405
CENTER SUPPORT 2"	HBP6225
CENTER SUPPORT 4 3/4"	HBP6425
DOUBLE SUPPORT	HBP6505



## BRASS 1 1/8"

STYLE	CODE
CENTER SUPPORT 3"	HBP6328
CENTER SUPPORT 4 7/8"	HBP6528
CENTER SUPPORT 7 1/4"	HBP6818
STUDIO 1 1/8"	HBP6608
SUPPORT 3"	HBP6308
SUPPORT 4 7/8"	HBP6508
SUPPORT 7 1/4"	HBP6808



## BRASS 1 1/2"

STYLE	CODE
SUPPORT 5"	HBP6274
CENTER SUPPORT 5"	HBP6284



## WROUGHT IRON 3/4"

STYLE	CODE
ADJUSTABLE SUPPORT 18	HFP6462
DOUBLE COMBO 18	HFP6472
GORDIAN SUPPORT	HFP6482
LATERAL SUPPORT 18	HFP6162
NIRVANA SUPPORT	HFP6032
SCOPIC SUPPORT 2"	HFP6122
SCOPIC SUPPORT 4"	HFP6142
SCOPIC SUPPORT 6"	HFP6172
STYLIZED COMBO 18	HFP6432



## WROUGHT IRON 1"

STYLE	CODE
AVALON SUPPORT	HFP6485
ELYPTIC SUPPORT 2"	HFP6125
ELYPTIC SUPPORT 4"	HFP6145
ELYPTIC SUPPORT 6"	HFP6175
DOUBLE COMBO 25	HFP6475
GINSA SUPPORT 1"	HFP6035
LATERAL SUPPORT 25	HFP6165
STYLIZED COMBO 25	HFP6435



## METRO 1 1/8"

STYLE	CODE
LATERAL SUPPORT 28	HFP6168
STAHL SUPPORT 2"	HFP6128
STAHL SUPPORT 4"	HFP6148
STAHL SUPPORT 6"	HFP6178



## WROUGHT IRON 1 1/2" (FUSION 40)

STYLE	CODE
ADJUSTABLE SUPPORT 40	HFP6024
LATERAL SUPPORT 40	HFP6164
RUSTICA SUPPORT	HFP6104
VERSA 40 SUPPORT 2"	HFP6124
VERSA 40 SUPPORT 4"	HFP6144
VERSA 40 SUPPORT 6"	HFP6174



**i**  
**VISIT OUR WEBSITE**  
 All of our current and most up-to-date colors options as well as all the support options for your choice of rodding are available on our website.  
 See it all at [clairedeco.com](http://clairedeco.com)

**EUROSCOPE**



WALL SUPPORT

DOUBLE SUPPORT

CEILING CLIP SUPPORT

STYLE	CODE
CEILING CLIP	HMP6010
SHORT SUPPORT	HMP6050
REGULAR WALL SUPPORT	HMP6040
LONG WALL SUPPORT	HMP6030
DOUBLE SUPPORT	HMP6221

**TEKNO 25**



TEKNO WALL SUPPORT

TEKNO CEILING SUPPORT

TEKNO DOUBLE SUPPORT

LATERAL SUPPORT 28

STYLE	CODE
LATERAL SUPPORT 28	HFP6168
TEKNO SUPPORT 2"	HTP6025
TEKNO SUPPORT 4"	HTP6045
TEKNO SUPPORT 6"	HTP6065
TEKNO CEILING SUPPORT 2"	HTP6058
TEKNO CEILING SUPPORT 4"	HTP6068
TEKNO DOUBLE SUPPORT 4"	HTP6228
TEKNO DOUBLE SUPPORT 6"	HTP6238
TEKNO FORTE 6"	HTP6365

**INVISIBLE**



TEKNO SUPPORT

L BRACKET SHORT

CEILING SIMPLE

STYLE	CODE
L BRACKET SHORT	HMP6110
CEILING SIMPLE	HMP6120
TEKNO SUPPORT 2"	HTP6025
TEKNO SUPPORT 4"	HTP6045
TEKNO SUPPORT 6"	HTP6065
TEKNO FORTE 6"	HTP6365

**TEKNO 40**



TEKNO SUPPORT 4"

KONTUR CEILING SUPPORT

LATERAL SUPPORT 40

STYLE	CODE
LATERAL SUPPORT 40	HFP6164
TEKNO 2"	HTP6025
TEKNO 4"	HTP6045
TEKNO 6"	HTP6065
KONTUR CEILING SUPPORT	HTP6010
TEKNO FORTE 6"	HTP6365

**TEKNO 40 WOOD**



TEKNO 40 WOOD SUPPORT

T40 CEILING SUPPORT

LATERAL SUPPORT 40

STYLE	CODE
LATERAL SUPPORT 40	HFP6164*
T40 WOOD CEILING SUPPORT	HTP6014
T40 WOOD SUPPORT 2"	HTP6024
T40 WOOD SUPPORT 4"	HTP6044
T40 WOOD SUPPORT 6"	HTP6064

**KONTUR ALU**



TEKNO SUPPORT

KONTUR CEILING SUPPORT

STYLE	CODE
KONTUR CEILING SUPPORT	HTP6010
TEKNO SUPPORT 2"	HTP6025
TEKNO SUPPORT 4"	HTP6045
TEKNO SUPPORT 6"	HTP6065
TEKNO FORTE 6"	HTP6365

**KONTUR EVO**

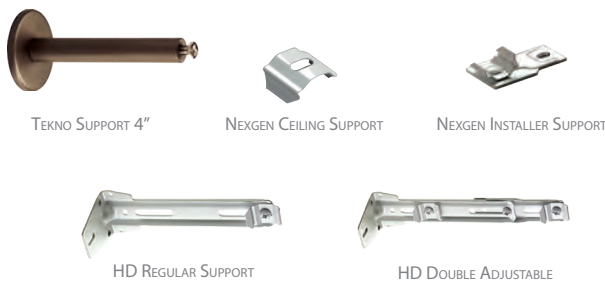


KONTUR SUPPORT

KONTUR CEILING SUPPORT

STYLE	CODE
KONTUR CEILING SUPPORT	HTP6010
KONTUR WALL SUPPORT 2"	HTP6020
KONTUR WALL SUPPORT 4"	HTP6040
KONTUR WALL SUPPORT 6"	HTP6060

**NEXGEN & NEXGEN APPLIQUE**



TEKNO SUPPORT 4"

NEXGEN CEILING SUPPORT

NEXGEN INSTALLER SUPPORT

HD REGULAR SUPPORT

HD DOUBLE ADJUSTABLE

STYLE	CODE
TEKNO 2"	HTP6025
TEKNO 4"	HTP6045
TEKNO 6"	HTP6065
TEKNO FORTE 6"	HTP6365
NEXGEN CEILING SUPPORT	HMP6210
NEXGEN INSTALLER SUPPORT	HMP6220
HD REGULAR SUPPORT	HMP6320
HD DOUBLE SUPPORT	HMP6240
HD ADJUSTABLE SUPPORT	HMP6250
HD DOUBLE ADJUSTABLE	HMP6260



VISIT  
OUR  
WEBSITE

All of our current and most up-to-date colors options as well as all the support options for your choice of rodding are available on our website.

See it all at [clairedeco.com](http://clairedeco.com)

CARRIERS & WANDS



**HMP5010**  
CLIC GLIDE SYSTEM  
*Glides simply clic into rail*



**HMP5020**  
BALL BEARING CARRIER



**HMP5012**  
NEXGEN GLIDE



**HMP5610**  
DELUXE CARRIER



**HMP7020**  
END STOP CLIC  
*Adjustable end stop blocks glides at any position on rail*



HMP7360 - 36"  
HMP7480 - 48"  
HMP7600 - 60"  
HMP7720 - 72"  
ALUMINIUM FLING WANDS



AVAILABLE COLORS:  
BR, DA

Wave Drape is available for Nexgen, Tekno 40, Nexgen Wood. See page 18 for product codes and details.

COMPATIBILITY

Rods longer than **106"** will be shipped in two equal lengths. One piece can be requested. Extra shipping charges apply.

Rod length	36"	48"	60"	72"	84"	96"	106"	120"	132"	144"	156"	168"	180"
Glides	12	16	20	24	28	32	36	40	44	48	52	56	60
Supports	2	2	2	3	3	3	4	5	5	5	5	5	5
Splice	0	0	0	0	0	0	0	1	1	1	1	1	1

EURO-SCOPE UPGRADE



EURO-SCOPE UPGRADE

ENSEMBLE INCLUDES:

RODDING, CARRIERS AND ALL NECESSARY MOUNTING HARDWARE.

*Euro-Scope rod hangs below front rod.*

*Make Euro-scope drape a minimum of 3/4" shorter than front drape.*

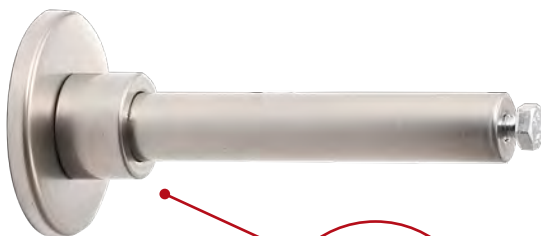


AVAILABLE COLORS: BR, DA, F, W



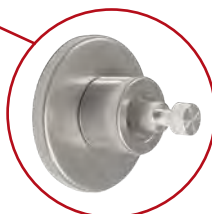
Technical diagrams for Euro-scope Upgrade page 25.

TEKNO FORTE



TEKNO FORTE 6" - HTP6365

- ADD EXTRA STRENGTH
- STOPS CANTILEVER EFFECT
- CAN BE ADDED RETROACTIVELY



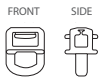
1" EXTENSION



TEKNO 1" EXTENSION - HFP4017

- WHEN YOU NEED JUST AN EXTRA INCH FOR A LITTLE EXTRA PROJECTION
- EASILY ATTACHES TO ALL TEKNO SUPPORTS
- AVAILABLE IN ALL TEKNO COLORS

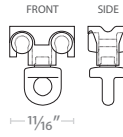
CLIC GLIDE  
3/16" pin height



WAVE CARRIER  
1/4" pin height



TEKNO CARRIER  
1/4" pin height

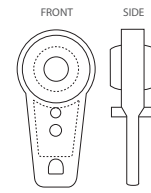


NEXGEN GLIDE  
3/4" pin height



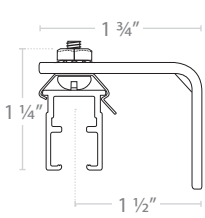
TEKNO CARRIERS

BALL BEARING CARRIER  
5/8" pin height

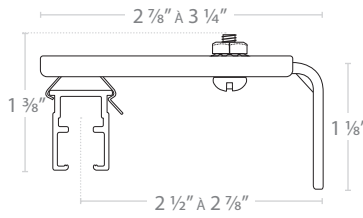


**i** Pin height measurements are to top of rail.  
Add 1 1/8" to cover Nexgen rail.  
Add 7/8" to cover Euro-scope.

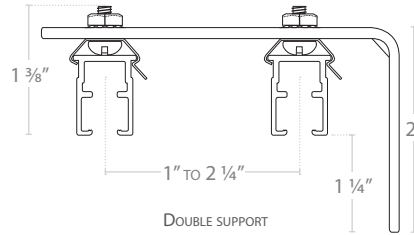
EURO-SCOPE



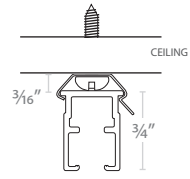
SHORT SUPPORT



ADJUSTABLE SUPPORT

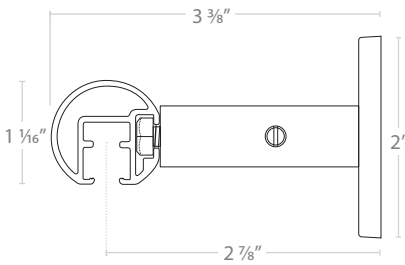


DOUBLE SUPPORT

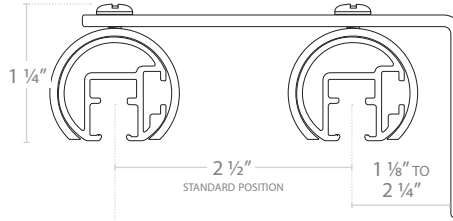


CEILING SUPPORT

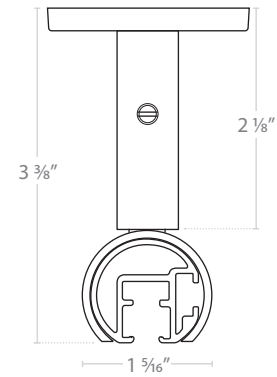
TEKNO 25



TEKNO 2" SUPPORT

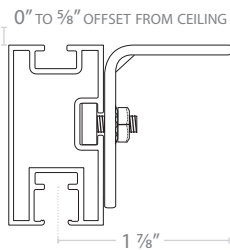


TEKNO 4" SUPPORT

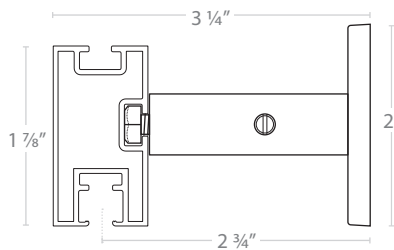


TEKNO CEILING SUPPORT

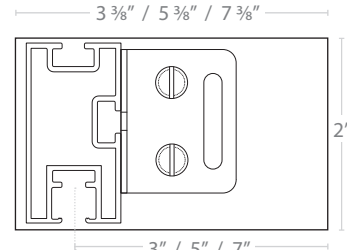
KONTUR EVO & ALU



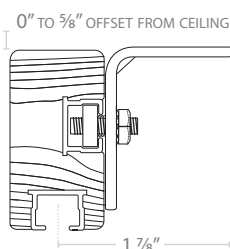
ALU CEILING SUPPORT



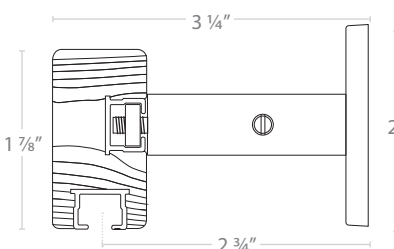
ALU WALL SUPPORT



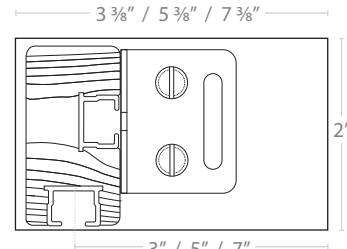
ALU QUADRA RETURN 2 / 4 / 6



EVO CEILING SUPPORT

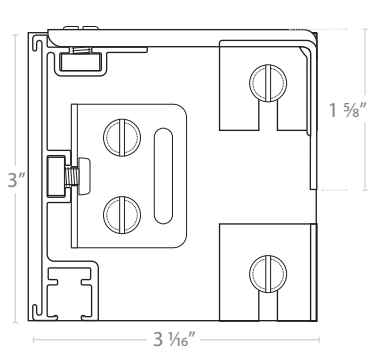


EVO WALL SUPPORT

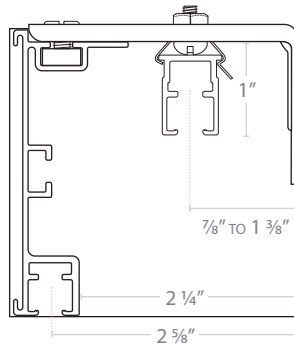


EVO QUADRA RETURN 2 / 4 / 6

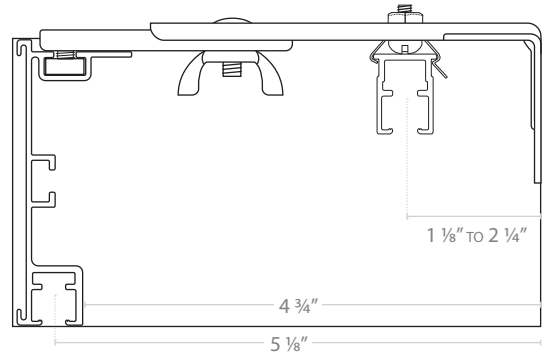
URBAN 3 & 5



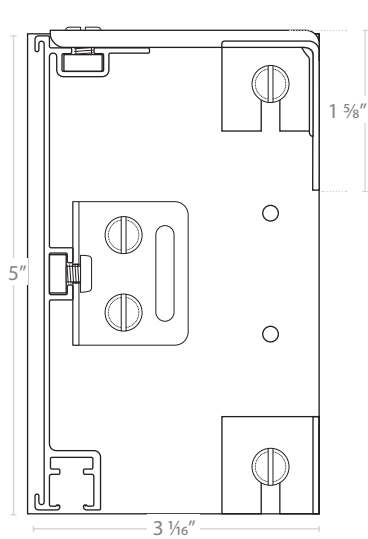
URBAN 3 RETURN 3  
*Showing all hardware*



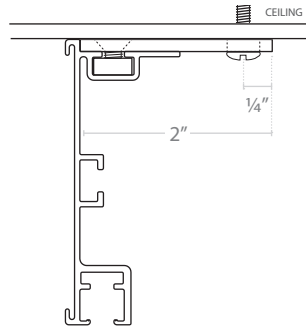
URBAN 3 RETURN 3  
*With Euro-Scope upgrade*



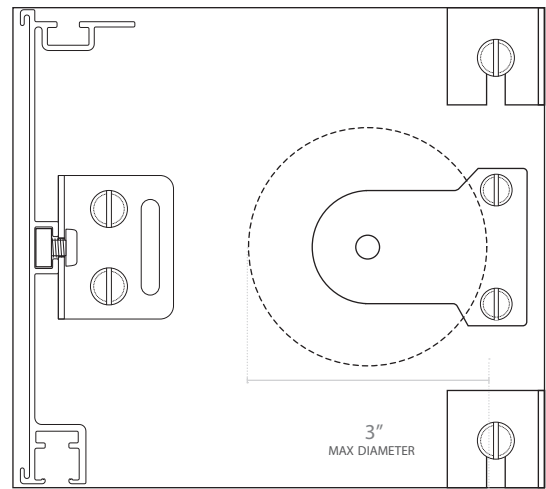
URBAN 3 - RETURN 5.5  
*With Euro-Scope upgrade*



URBAN 5 RETURN 3  
*Showing all hardware*

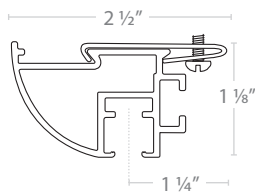


URBAN 3 CEILING SUPPORT

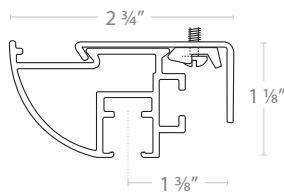


URBAN 5 - RETURN 5.5  
*Shade installation*

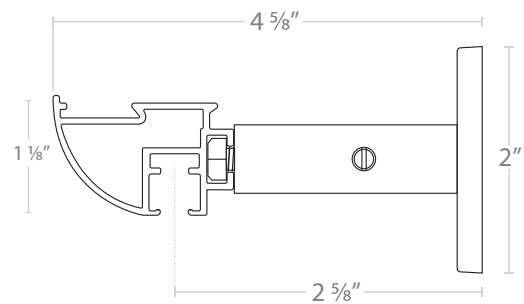
INVISIBLE



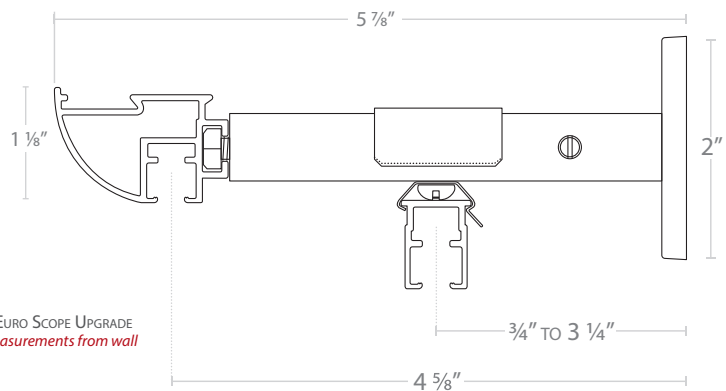
INVISIBLE CEILING CLIP



INVISIBLE SHORT PROJECTION SUPPORT



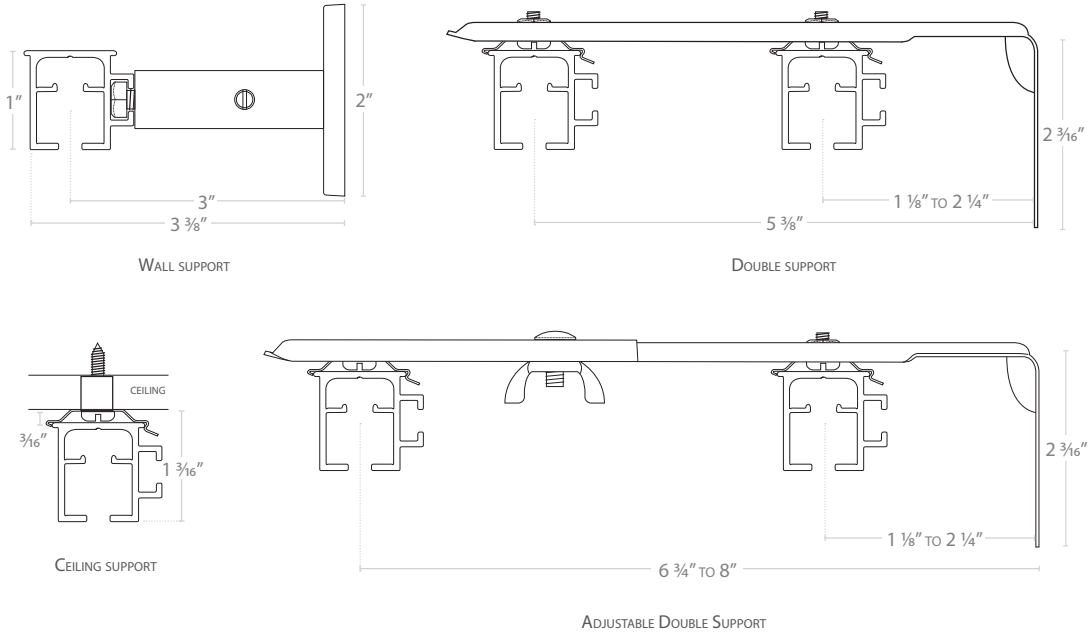
INVISIBLE TEKNO 2" PROJECTION  
*for Tekno 4" - add 2" for measurements from wall*



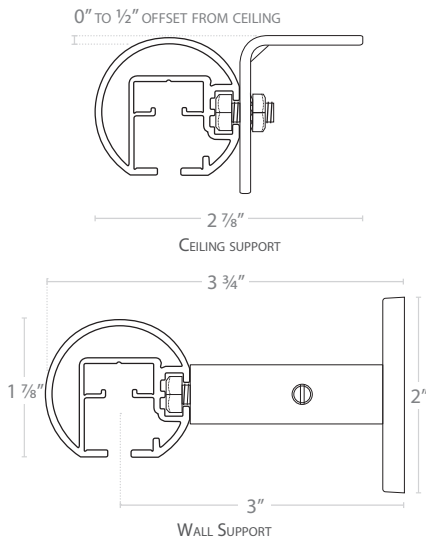
INVISIBLE TEKNO 4" PROJECTION WITH EURO SCOPE UPGRADE  
*for Tekno 6" projection - add 2" for measurements from wall*



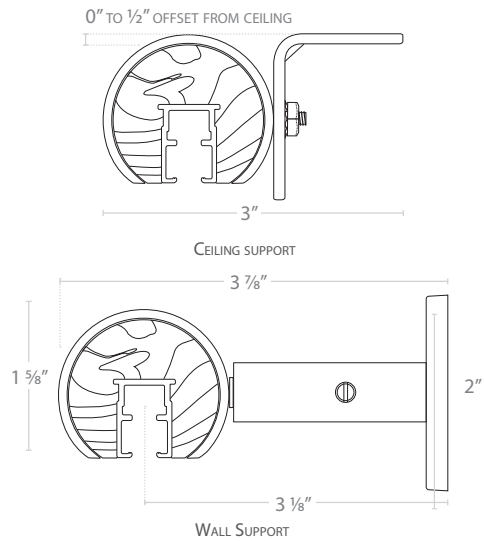
NEXGEN



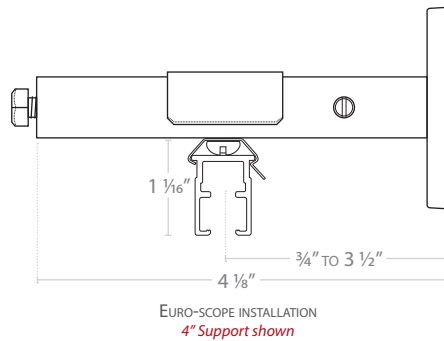
TEKNO 40



TEKNO 40 WOOD



EURO-SCOPE UPGRADE



**i** Make Back drape a minimum of 3/4" shorter than front drape.

Offset between Euro-Scope Upgrade & front rod.

KONTUR EVO & ALU	7/16"
TEKNO 40	1/4"
NEXGEN, NEXGEN WOOD, TEKNO 25, TEKNO 40 WOOD, INVISIBLE	1/2"

# SIMPLICITÉ

1 1/8" DIAMETER



**AERONAUT**

HAP0658  
3 1/2" L x 2" DIA.

Shown in Chrome - Black - Chrome  
\*Available colors:  
CKC, CSC, SCS



**CERAMIC BALL**

HAP0688  
3 3/8" L x 2 1/2" DIA.

Shown in Stainless  
Available colors:  
CR, S



**CLARICE**

HAP0718  
3 1/4" x 2 DIA.

Shown in Antique Silver  
Available colors:  
A, AS, DW,



**DELAUNY**

HAP0728  
3" x 2" DIA.

Shown in Antique  
Available colors:  
A, AS, DW



**DIGITAL**

HAP0598  
3" L x 1 3/8" DIA.

Shown in Stainless  
Available colors:  
CR, DW, OB, S



**DURAND**

HAP0778  
3" x 2 1/4" DIA.  
Shown in Stainless  
Available colors:  
A, DW, S



**EMPIRE**

HFP0548  
7/8" L x 1 5/8" DIA.  
Shown in Chrome  
Available colors:  
CR, DW, OB, S



**GEMSTONE**

HAP0588  
3 3/4" L x 2 1/8" DIA.  
Shown in Black  
Available colors:  
CR, DW, OB, S



**JIBOO**

HAP0758  
3 1/4" x 2" DIA.  
Shown in Antique  
Available colors:  
A, DW, S



**JOFFRE**

HAP0608  
4" L x 2 1/8" DIA.  
Shown in Antique Silver  
Available colors:  
AS, DW, OB



**LALIQUE**

HAP0678  
2 1/8" L x 2" DIA.  
Shown in Black  
Available colors:  
AS, DW, OB



**LEPAPE**

HAP0738  
2 7/8" x 2 1/4" DIA.  
Shown in Antique Silver  
Available colors:  
A, AS, DW



**LINEA**

HFP0568  
4" L x 2 1/8" DIA.  
Shown in Stainless  
Available colors:  
CR, DW, OB, S



**MERCADO**

HAP0668  
2 5/8" L x 2 3/8" DIA.  
Shown in Black  
Available colors:  
AS, DW, OB



**MUSKOKA**

HAP0628  
3 7/8" L x 2 3/8" DIA.  
Shown in Oil Rubbed Bronze  
Available colors:  
AS, DW, OB



**NOUVEAU CLASSIQUE**

HAP0748  
3 1/4" x 3" DIA.  
Shown in Antique Silver  
Available colors:  
A, AS, DW



**SILESTE**

HAP0578  
2 1/8" L x 2" DIA.  
Shown in Chrome  
Available colors:  
CR, S



**TAMA**

HAP0638  
3 3/8" L x 2 1/4" DIA.  
Shown in Oil Rubbed Bronze  
Available colors:  
AS, DW, OB



**TRANS LU**

HFP0538  
4" L x 2 1/8" DIA.  
Shown in Stainless  
Available colors:  
CR, DW, OB, S



**VENICE**

HAP0708  
3 1/2" L x 2 1/8" DIA.  
Shown in Oil Rubbed Bronze  
Available colors:  
CR, DW, OB, S



**VERSAILLES**

HAP0698  
2 1/8" L x 2 3/8" DIA.  
Shown in Chrome  
Available colors:  
CR, DW, OB, S



Your basic traverse rod for heavy duty work.

**ADDITIONAL COLORS**

Please see [clairedeco.com](http://clairedeco.com) in the Simplicité Box Set section for options.



COLORS AND RODDING

**i** Please see [www.clairedeco.com](http://www.clairedeco.com) in the Simplicité Box Set section for options

AVAILABLE COLORS



A  
ANTIQUE



CR  
CHROME



DW  
DISTRESSED WOOD (BLACK)



OB  
OIL RUBBED BRONZE



S  
STAINLESS

COLOR FOR CERTAIN FINIALS ONLY



AS  
ANTIQUÉ SILVER  
*PAIRS WITH STAINLESS ROD*



FB  
FLAT BRONZE



GM  
GUN METAL

\*AERONAUT COLOR CODES

- CKC - CHROME, BLACK, CHROME
- CSC - CHROME, STAINLESS, CHROME
- SCS - STAINLESS, CHROME, STAINLESS

ROD LENGTHS

- HATS3488 - 48"
- HATS3608 - 60"
- HATS3728 - 72"
- HATS3968 - 96"

**i** Set Length - Factory will NOT cut rodding

CORNER PROGRAM



HFP7018  
CORNER 28  
*From 90° - 180°*

AVAILABLE COLORS



A  
ANTIQUÉ



CR  
CHROME



DW  
DISTRESSED WOOD (BLACK)



OB  
OIL RUBBED BRONZE



S  
STAINLESS



# ADJUSTABLE ROD KITS

5/8" - 1/2" DIAMETER



ADRIA	ANTELOPE	BALL	CODA	LARGE BALL	RENAISSANCE	TORCH
HAA1609 3 7/8" L x 2" DIA. <i>Shown in Black</i>	HAA1626 4 1/2" L x 2 1/2" DIA. <i>Shown in Antique</i>	HAA1616 1 1/2" L x 1" DIA. <i>Shown in Stainless</i>	HAA1628 5 1/8" L x 2" DIA. <i>Shown in Antique</i>	HAA1606 2 3/4" L x 2" DIA. <i>Shown in Antique</i>	HAA1621 4 7/8" L x 2 1/2" DIA. <i>Shown in Stainless</i>	HAA1614 5 1/2" L x 2" DIA. <i>Shown in Antique</i>



**Available colors**  
Rods & finials



**A**  
ANTIQUE



**DW**  
BLACK



**S**  
STAINLESS

## KITS

### Ensembles include:

Adjustable rod, finials & regular Combo Supports

**Doublette ensembles include:**  
Back bracket & adjustable back rod.

	ADRIA	ANTELOPE	BALL	CODA	LARGE BALL	RENAISSANCE	TORCH	DOUBLETTE	ROD KITS
Pair of finials	HAA1609	HAA1626	HAA1616	HAA1628	HAA1606	HAA1621	HAA1614	-	-
28" - 48"	HAA2409	HAA2267	HAA2416	HAA2287	HAA2406	HAA2421	HAA2414	HAA2400	HAA1624
48" - 84"	HAA8409	HAA8267	HAA8416	HAA8287	HAA8406	HAA8421	HAA8414	HAA8400	HAA1684
66" - 120"	HAA6609	HAA6267	HAA6616	HAA6287	HAA6606	HAA6621	HAA6614	HAA6600	HAA1666
Tieback ensemble	HAA4509	HAA4267	HAA4516	HAA4287	HAA4506	HAA4521	HAA4514	-	-

## SWING ARM

LENGTHS	ADRIA	ANTELOPE	BALL	CODA	LARGE BALL	RENAISSANCE	TORCH	NO FINIAL
14" - 22"	HAA5509	HAA5526	HAA5516	HAA5528	HAA5506	HAA5521	HAA5514	HAA5500
28" - 36"	HAA5609	HAA5626	HAA5616	HAA5628	HAA5606	HAA5621	HAA5614	HAA5600



## CURVED ROD



LENGTHS	28" - 48"	48" - 84"	66" - 120"
CODE	HAA7024	HAA7048	HAA7084



## OPTIONAL PRODUCT AND SUPPORT



**HAM1647**  
DOUBLE COMBO SUPPORT  
*Adj. projection - wall to pole*  
Front rod - 3 1/2" to 5 1/4"  
Back rod - 1/4" to 2 5/8"



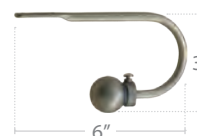
**HAM1600**  
SHORT COMBO SUPPORT  
*3 1/2" to 5 1/4" Adj. projection, wall to pole*



**HAA1625**  
RING WITH EYELET  
Bag of 10  
1" DIAMETER



**HAA1635**  
RING WITH PINCH CLIP  
Bag of 10  
1" DIAMETER



**HAM1643**  
LATERAL SUPPORT [PAIR]  
1/2"

**HAA1645**  
TIEBACK [PAIR]  
*Finials not included*

# ADJUSTABLE ROD KITS

1 - 7/8" DIAMETER



**CLARICE**

HAP0718  
3 1/4" L X 2" DIA.  
Shown in Antique Silver  
Available colors: AS, DW



**DELAUNEY**

HAP0728  
3" L X 2 1/4" DIA.  
Shown in Antique Silver  
Available colors: AS, DW



**IONIC**

HAP0375  
3" L X 2 1/2" DIA.  
Shown in Black  
Available colors: AS, DW, OB



**LALIQUE**

HAP0678  
1 3/4" L X 3" DIA.  
Shown in Black  
Available colors: AS, DW, OB



**LEPAPE**

HAP0738  
2 7/8" L X 2 1/4" DIA.  
Shown in Black  
Available colors: AS, DW



**MERCADO**

HAP0668  
2 3/8" L X 2 3/8" DIA.  
Shown in Black  
Available colors: AS, DW, OB



**MUSKOKA**

HAP0628  
3 7/8" L X 2 3/8" DIA.  
Shown in Antique Silver  
Available colors: AS, DW, OB



**NOUVEAU CLASSIQUE**

HAP0748  
3 1/8" L X 3" DIA.  
Shown in Antique Silver  
Available colors: AS, DW



**TAMA**

HAP0638  
3 5/8" L X 2 1/4" DIA.  
Shown in Oil Rubbed Bronze  
Available colors: AS, DW, OB

**AVAILABLE COLORS**



AS  
ANTIQUE SILVER



DW  
BLACK



OB  
OIL RUBBED BRONZE

## ADJUSTABLE ROD KITS

FINIALS	CLARICE	DELAUNEY	IONIC 25	LALIQUE	LE PAPE	MERCADO	MUSKOKA	N. CLASSIQUE	TAMA	DOUBLETTE
28" - 48"	HAA2715	HAA2725	HAA2375	HAA2675	HAA2735	HAA2665	HAA2625	HAA2745	HAA2635	HAA2002
48" - 84"	HAA8715	HAA8725	HAA8375	HAA8675	HAA8735	HAA8665	HAA8625	HAA8745	HAA8635	HAA8002
60" - 108"	HAA6715	HAA6725	HAA6375	HAA6675	HAA6735	HAA6665	HAA6625	HAA6745	HAA6635	HAA6002

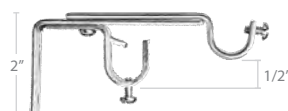
• ENSEMBLES INCLUDE: ADJUSTABLE ROD, FINIALS AND REGULAR COMBO SUPPORTS.

• DOUBLETTE ENSEMBLES INCLUDE: BACK BRACKET AND ADJUSTABLE BACK ROD 3/4" WITH CAPS.

## OPTIONAL SUPPORTS & PRODUCTS



**HAM6005**  
COMBO SUPPORT SELECT 25  
Supports are included in ensembles,  
use for replacement parts only



**HFP6475**  
DOUBLE COMBO SUPPORT 25  
Adjustable projection from wall to pole  
Front rod - 3" to 4 1/8"  
Back rod - 1/4" to 2 5/8"



HMP7360 - 36"  
HMP7480 - 48"  
HMP7600 - 60"  
HMP7720 - 72"  
ALUMINIUM FLUNG WANDS

AVAILABLE COLORS: BR, DA



**HAA5355**  
RING WITH CLIP  
Bag of 10



**HAA5255**  
RING WITH EYELET  
Bag of 10

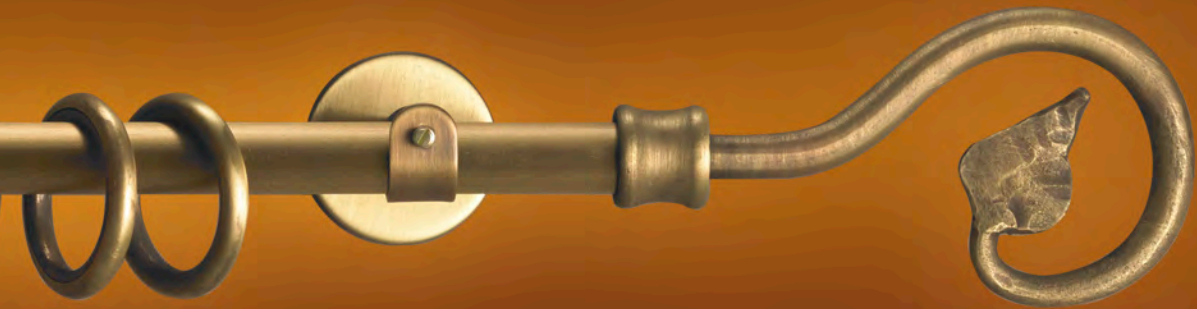
**i**

**ADDITIONAL ITEMS**

Please see [clairedeco.com](http://clairedeco.com) in the Adjustable Rod Kits section for more options

# WROUGHT IRON

3/4" DIAMETER



							
<b>BALLFORT</b> HFP0032 2 7/8" L x 2" D <i>Shown in Antique</i>	<b>BELLAGIO</b> HFP0432 5 1/2" L x 3" D <i>Shown in Pewter</i>	<b>BISTROT</b> HFP0372 5 1/2" L x 3 1/4" D <i>Shown in Antique</i>	<b>CAPUCHON 18</b> HFP0182 1" L x 1 3/8" D <i>Shown in Fossil</i>	<b>DANTE</b> HFP0412 5 1/2" L x 4 1/2" D <i>Shown in Military Black</i>	<b>DARDUS</b> HFP0122 7 1/4" L x 2 1/4" D <i>Shown in Pewter</i>	<b>MAGNUM</b> HFP0382 2 1/2" L x 1 3/4" D <i>Shown in Pewter</i>	<b>VECTRA</b> HFP0232 1 7/8" L x 1 3/4" D <i>Shown in Antique</i>

## AVAILABLE COLORS



**A**  
ANTIQUE



**F**  
FOSSIL



**MB**  
MILITARY BLACK



**P**  
PEWTER

## RODDING



HFTS3002 - STEEL TUBE

- ALL MEASUREMENTS MUST BE FOR ROD LENGTH ONLY.
- MAXIMUM LENGTH FOR A SINGLE ROD IS 96".
- AFTER 84" A CENTER SUPPORT IS REQUIRED.
- RODS GREATER THAN 96" WILL BE SHIPPED IN 2 EQUAL PIECES.

## OPTIONAL PRODUCTS



**HFP5558**  
RING 55  
*Use Ring Clip 56 (Sold separately)*



**HFP5262**  
STEEL RING  
*Use Ring Clip 48 (Sold separately) Liner included*



**HFP5282**  
STEEL RING WITH EYELET  
*Liner included*



**HBP5560**  
RING CLIP 56



**HBP5480**  
RING CLIP 48



**HMP7360** - 36"  
**HMP7480** - 48"  
**HMP7600** - 60"  
**HMP7720** - 72"  
ALUMINIUM FLING WANDS

AVAILABLE COLORS: BR, DA



**HFP4460**  
NEWTON TIEBACK  
7" x 3 3/4"



**HFP4462**  
UNI-ARM 18



**HFP7100** - 39"  
FUSION FLING WAND  
AVAILABLE COLORS: A, F, P

**i**  
Real hand forged wrought iron.  
See page 19 for Bay Window and Corner Program options.

# WROUGHT IRON

1" DIAMETER



**BALL 25**

HAP0295  
3 3/4" L x 2 1/4" D  
Shown in Antique



**CAPUCHON 25**

HFP0185  
1" L x 1 3/8" D  
Shown in Fossil



**FABRIXX**

HFP0485  
3 3/4" L x 2 1/4" D  
Shown in Antique



**FLAMME 25**

HFP0255  
4 1/4" L x 3" D  
Shown in Military Black



**GRAPPA**

HAP0335  
3 3/4" L x 2 1/4" D  
Shown in Antique



**PIPER**

HFP0235  
1 7/8" L x 1 3/4" D  
Shown in Pewter



**TRINITY**

HFP0385  
2 1/2" L x 1 3/4" D  
Shown in Antique

## AVAILABLE COLORS



**A**  
ANTIQUE



**F**  
FOSSIL



**MB**  
MILITARY BLACK



**P**  
PEWTER

## RODDING



HFTS3005  
STEEL TUBE



HFTS3002  
STEEL TUBE

Use 3/4" ONLY FOR BACK RODS WITH INFINETTE CLIPS OR DOUBLE COMBO 25

- ALL MEASUREMENTS MUST BE FOR ROD LENGTH ONLY.
- MAXIMUM LENGTH FOR A SINGLE ROD IS 96".
- AFTER 84" A CENTER SUPPORT IS REQUIRED.
- RODS GREATER THAN 96" WILL BE SHIPPED IN 2 EQUAL PIECES.

## OPTIONAL PRODUCTS



HFP5558  
RING 55  
Use Ring Clip 56  
(Sold separately)



HFP5262  
STEEL RING  
Use Ring Clip 48  
(Sold separately)  
Liner included



HFP5282  
STEEL RING WITH EYELET  
Liner included



HMP7360 - 36"  
HMP7480 - 48"  
HMP7600 - 60"  
HMP7720 - 72"  
ALUMINIUM FLING WANDS

AVAILABLE COLORS: BR, DA



HFP7100 - 39"  
FUSION FLING WAND

AVAILABLE COLORS: A, F, P



HBP5560  
RING CLIP 56



HBP5480  
RING CLIP 48



HFP4465  
UNI-ARM 25



HFP4460  
NEWTON TIEBACK  
7" x 3 3/4"

# METRO

1 1/8" DIAMETER



**BALL 28**  
HFP0048  
3 3/8" L X 2 3/8" D  
SHOWN IN BURNT NICKLE



**BLING**  
HFP0498  
2 1/4" L X 2" D  
SHOWN IN SAHARA



**EMPIRE**  
HFP0548  
7/8" L X 1 3/8" D  
SHOWN IN VINTAGE BRASS



**LINEA**  
HFP0568  
4" L X 2" D  
SHOWN IN STAINLESS



**SQUARE ENDCAP**  
HFP0508  
2" X 3/4"  
SHOWN IN SAHARA

## AVAILABLE COLORS



**A**  
ANTIQUE



**BN**  
BURNT NICKLE



**S**  
STAINLESS



**SH**  
SAHARA



**VB**  
VINTAGE BRASS

## RODDING



**HFTS3008**  
STEEL TUBE

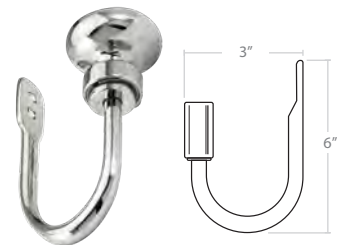


- ALL MEASUREMENTS MUST BE FOR ROD LENGTH ONLY.
- MAXIMUM LENGTH FOR A SINGLE ROD IS 96".
- AFTER 84" A CENTER SUPPORT IS REQUIRED.
- RODS GREATER THAN 96" WILL BE SHIPPED IN 2 EQUAL PIECES.



HMP7360 - 36"  
HMP7480 - 48"  
HMP7600 - 60"  
HMP7720 - 72"  
ALUMINIUM FLING WANDS

AVAILABLE  
COLORS:  
BR, DA



**HFP4468**  
UNI-ARM 28



**HFP5458**  
METRO RING  
*Eyelet and liner included*

## EURO-SCOPE DOUBLE ROD UPGRADE

SIZE UP TO	36"	48"	60"	72"	84"	96"	*108"	*120"	*132"	*144"	*156"
SPLICE	0	0	0	0	0	0	1	1	1	1	1
HAND DRAWN	HEH4030	HEH4040	HEH4050	HEH4060	HEH4070	HEH4080	HEH4090	HEH4100	HEH4110	HEH4120	HEH4130
ONE WAY	HEO4030	HEO4040	HEO4050	HEO4060	HEO4070	HEO4080	HEO4090	HEO4100	HEO4110	HEO4120	HEO4130
CENTER DRAW	HEC4030	HEC4040	HEC4050	HEC4060	HEC4070	HEC4080	HEC4090	HEC4100	HEC4110	HEC4120	HEC4130

\* RODS LONGER THAN 106" WILL BE SHIPPED IN TWO EQUAL PIECES TO AVOID HIGH TRANSPORT COSTS, BUT CAN BE ORDERED IN ONE PIECE WITH EXTRA SHIPPING AND HANDLING CHARGES.  
PLEASE SPECIFY IF ONE PIECE IS REQUESTED.



## OPTIONAL PRODUCTS



Visit  
**clairedeco.com**  
to see the  
complete  
assortment  
of different finial  
and rod colors.



1 1/2" DIAMETER



**i** Available colors for **finials** are identified in **RED TEXT**.

							
<b>ACCENT</b>	<b>ARON</b>	<b>ELFIN</b>	<b>GARIBALDI</b>	<b>MELROSE</b>	<b>SINGULAR</b>	<b>TAMA 40</b>	<b>TAP</b>
HFP0024	HTP0204	HTP0284	HTP0304	HTP0274	HFP0074	HTP0294	HFP0014
3 5/8" L x 2 1/2" D	4" L x 2 3/4" D	4" L x 2 3/4" D	3 3/4" L x 2 5/8" D	4 3/4" L x 3 1/8" D	6" L x 2 3/8" D	4 1/4" L x 2 7/8" D	1 1/2" L x 1 5/8" D
Shown in Antique A, F, P	Shown in Distressed Wood AS, DW	Shown in Antique Silver AS, DW	Shown in Pewter A, F, P	Shown in Antique Silver AS, DW	Shown in Pewter A, F, P	Shown in Distressed Wood AS, DW	Shown in Antique A, F, P

## AVAILABLE COLORS



**A**  
ANTIQUE



**F**  
FOSSIL



**P**  
PEWTER

**COLOR FOR CERTAIN FINIALS ONLY**



**AS**  
ANTIQUE SILVER

**PAIRS WITH PEWTER ROD**



**DW**  
DISTRESSED WOOD

**PAIRS WITH FOSSIL ROD**

## RODDING



**HFTS3004**  
STEEL TUBE

- i** ALL MEASUREMENTS MUST BE FOR ROD LENGTH ONLY.
- MAXIMUM LENGTH FOR A SINGLE ROD IS 96".
- AFTER 84" A CENTER SUPPORT IS REQUIRED.
- RODS GREATER THAN 96" WILL BE SHIPPED IN 2 EQUAL PIECES.

## OPTIONAL PRODUCTS



36" / 48" / 60" / 72"

HMP7360 - 36"  
HMP7480 - 48"  
HMP7600 - 60"  
HMP7720 - 72"  
ALUMINIUM FLING WANDS

AVAILABLE COLORS:  
BR, DA



HFP7100 - 39"  
FUSION FLING WAND

AVAILABLE COLORS:  
A, F, P



HFP5824  
RING 82  
Use Ring Clip 83  
(sold separately)



HFP5604  
STEEL RING 40  
With Eyelet  
Liner included



HBP5830  
RING CLIP 83



HFP4400  
PASSAMA TIEBACK



HFP4410  
RUSTICA BALL TIEBACK

# INFINETTE INSTALLATIONS

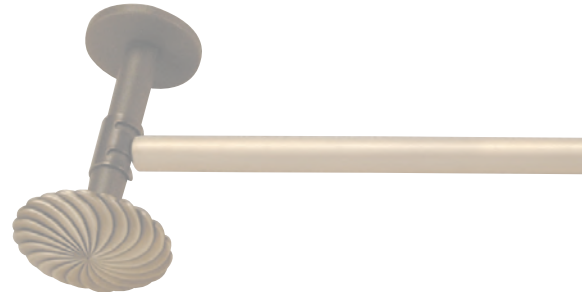


					
<b>BUTTON</b>	<b>CORD</b>	<b>STAR</b>	<b>FANETTE</b>	<b>FORBIN</b>	<b>GRAPPA</b>
HBP0300 Ø 7/8"	HFP0820 Ø 2 1/2"	HFP0740 Ø 2 7/8"	HFP0720 Ø 2 3/4"	HFP0600 Ø 3"	HFP0620 Ø 3 1/2"
					
<b>HORIZON</b>	<b>LILLIANE</b>	<b>LOUIS XVI</b>	<b>LOUIS XV</b>	<b>MANHATTAN</b>	<b>PETALINE</b>
HFP0860 Ø 2 3/4"	HFP0630 Ø 3 1/2"	HBP0390 Ø 2 5/8"	HBP0310 Ø 2 3/4"	HFP0610 Ø 3"	HFP0640 Ø 3 1/2"

## AVAILABLE COLORS



## RODDING



## INFINETTE CLIPS



*Attaches rods to a Post Complete*



*Bridges rods to a Post Complete*



*Attaches an alternate rod to a Post Complete*



*Attaches an alternate rod to a Post Complete*



Medallions are a versatile product that can be used in a variety of ways and on many products.

1" DIAMETER



**ENDCAP 25**  
HBP0115  
1" L x 1 1/8" D  
Shown in Brass  
Available colors: B, N



**REGENT**  
HBP0015  
1 7/8" L x 1 1/16" D  
Shown in Nickel  
Available colors: B, N



**BRAVA**  
HBP0215  
2" L x 3" D  
Shown in Brass  
Available colors: B, N



**FUEGO**  
HBP0105  
4 1/2" L x 2" D  
Shown in Brass  
Available colors: B, N

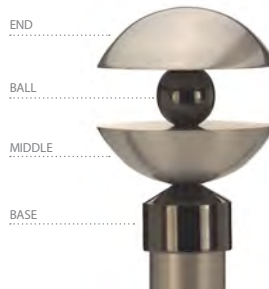
CREATE YOUR FINIALS WITH PIECES IN BRASS, NICKEL OR ONYX!



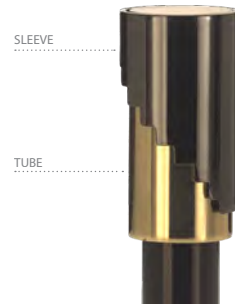
**KOSMO**  
HBA0415  
1 7/8" L x 1 1/16" D  
Combination shown:  
Brass, Onyx, Brass (BKB)



**URBAN**  
HBA0445  
3" L x 1 5/8" D  
Combination shown:  
Nickel, Brass, Nickel (NBN)



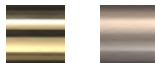
**MASONIC**  
HBA0505  
2" L x 3" D  
Combination shown:  
Nickel, Onyx, Nickel, Onyx (NKNK)



**ESCALA**  
HBA0405  
3" L x 1 5/8" D  
Combination shown:  
Onyx, Brass (KB)

## AVAILABLE COLORS

### FOR BRASS PRODUCTS



**B** BRASS  
**N** NICKEL

### FOR WOOD RODS



**CM** CHERRY  
**WN** WALNUT

## RODDING



HBT3005 - BRASS TUBE



HBTW3005 - WOOD POLE

- ALL MEASUREMENTS MUST BE FOR ROD LENGTH ONLY.
- MAXIMUM LENGTH FOR A SINGLE ROD IS 96".
- AFTER 84" A CENTER SUPPORT IS REQUIRED.
- RODS GREATER THAN 96" WILL BE SHIPPED IN 2 EQUAL PIECES.

## OPTIONAL PRODUCTS



HBP5558  
RING 55  
Use Ring Clip 56 (sold separately)



HBP5560  
RING CLIP 56



HBP5478  
CABLE RING  
Use Ring Clip 48 (sold separately)



HBP5480  
RING CLIP 48



Available colors: B, N



Available color: A



Available color: A



Available color: A

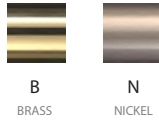
# BRASS COLLECTION

1 1/8" DIAMETER

					
<b>ENDCAP 28</b> HBP0208 1" L x 1 1/4" D Shown in Brass Available colors: B, N	<b>BALBINA</b> HBP0138 3 1/4" L x 2 3/8" D Shown in Brass Available colors: B, N	<b>CHALICE</b> HBP0238 2 1/2" L x 2 1/4" D Shown in Nickel Available colors: B, N	<b>CALIENTE</b> HBP0108 4 1/8" L x 2" D Shown in Brass Available colors: B, N	<b>SHITAKE</b> HBP0098 2" L x 2 1/8" D Shown in Nickel Available colors: B, N	<b>SYLO</b> HBP0268 2 1/4" L x 2 1/4" D Shown in Nickel Available colors: B, N
					
<b>CORONA</b> HBP0058 4 1/2" L x 2 1/2" D Shown in Brass Available colors: A, B	<b>LIBERTI</b> HBP0158 4 1/2" L x 2 3/4" D Shown in Brass Available colors: B	<b>LOUIS XVI</b> HBP0048 3 3/4" L x 2 5/6" D Shown in Antique Available colors: A, B	<b>RODOPLISSÉ</b> HBP0068 3 1/8" L x 2 1/4" D Shown in Brass Available colors: B	<b>SHERATON</b> HBP0168 4 1/2" L x 2 1/2" D Shown in Brass Available colors: B	<b>TORSADE</b> HBP0188 2 3/4" L x 2 3/4" D Shown in Brass Available colors: B

## AVAILABLE COLORS

FOR BRASS PRODUCTS



B BRASS  
N NICKEL

FOR WOOD RODS



CM CHERRY  
WN WALNUT

## RODDING



HBT3008 - BRASS TUBE



HBTW3008 - WOOD POLE

- ALL MEASUREMENTS MUST BE FOR ROD LENGTH ONLY.
- MAXIMUM LENGTH FOR A SINGLE ROD IS 96".
- AFTER 84" A CENTER SUPPORT IS REQUIRED.
- RODS GREATER THAN 96" WILL BE SHIPPED IN 2 EQUAL PIECES.

## OPTIONAL PRODUCTS



HBP5558  
RING 55  
Use Ring Clip 56  
(sold separately)



HBP5560  
RING CLIP 56



HBP5478  
CABLE RING  
Use Ring Clip 48  
(sold separately)



HBP5480  
RING CLIP 48



HBP4772 - 2"  
HBP4774 - 3 3/8"  
HBP4776 - 6"  
BRAVA HOOK  
Available colors: B, N



Available color: A

HBP4782 - 2"  
HBP4786 - 6"  
LIBERTI HOOK



Available color: A

HBP4792 - 2"  
HBP4794 - 4"  
HBP4796 - 6 3/4"  
LOUIS HOOK



Available color: A

HBP4751 - 1"  
HBP4752 - 1 1/2"  
HBP4754 - 2"  
TRADITIONAL HOOK



Real brass cannot be imitated!

Visit [clairedeco.com](http://clairedeco.com) to learn more.

# BRASS COLLECTION

1 1/2" DIAMETER



**BARTOLI**

HBP0134  
3 3/8" L x 2 1/2" D  
Shown in Brass  
Available colors: B, N



**CALIX**

HBP0144  
3" L x 2 1/4" D  
Shown in Nickel  
Available colors: B, N



**CORONET**

HBP0174  
3 1/8" L x 2 1/4" D  
Shown in Brass  
Available color: B



**FACETTE**

HBP0074  
4 1/2" L x 2 1/2" D  
Shown in Brass  
Available color: B



**LOUIS XV**

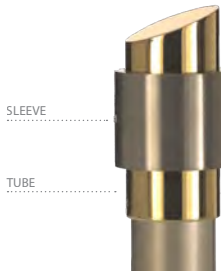
HBP0024  
4 3/4" L x 2 3/4" D  
Shown in Brass  
Available color: B



**SCEPTRE**

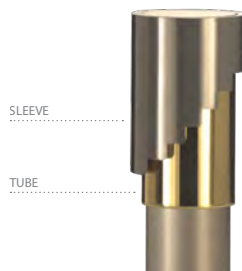
HBP0244  
4 1/2" L x 2 1/2" D  
Shown in Brass  
Available colors: A, B

CREATE YOUR FINIALS  
WITH PIECES IN  
BRASS OR NICKEL!



**Expo**

HBA0414  
4" L x 2 1/8" D  
Combination shown:  
Tube in Brass, Sleeve in Nickel (BN)



**ESCALA II**

HBA0404  
3 1/2" L x 2 1/8" D  
Combination shown:  
Sleeve in Nickel, Tube in Brass (NB)

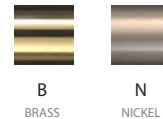


**OLYMPIC**

HBA0424  
3 1/2" L x 2 1/8" D  
Combination shown:  
Tube in Nickel, Rings in Brass (NB)



## AVAILABLE COLORS



B  
BRASS

N  
NICKEL

## RODDING



HBT3004 - BRASS TUBE

- ALL MEASUREMENTS MUST BE FOR ROD LENGTH ONLY.
- AFTER 84" A CENTER SUPPORT IS REQUIRED.
- MAXIMUM LENGTH FOR A SINGLE ROD IS 96".
- RODS GREATER THAN 96" WILL BE SHIPPED IN 2 EQUAL PIECES.

## OPTIONAL PRODUCTS



HBP5824

RING 82  
Use Ring Clip 83  
(sold separately)



HBP5830  
RING CLIP 83



HBP4766  
TUDOR TIEBACK  
Available color: B



HBP4764.AL (LEFT)  
HBP4764.AR (RIGHT)  
MEDICI TIEBACK  
Available color: A



HBP4772 - 2"  
HBP4774 - 3 3/8"  
HBP4776 - 6"  
BRAVA HOOK  
Available colors: B, N



HBP4782 - 2"  
HBP4786 - 6"  
LIBERTY HOOK  
Available color: A



HBP4792 - 2"  
HBP4794 - 4"  
HBP4796 - 6 3/4"  
LOUIS HOOK  
Available color: A



HBP4751 - 1"  
HBP4752 - 1 1/2"  
HBP4754 - 2"  
TRADITIONAL HOOK  
Available color: A



True archive  
pieces  
bringing  
history  
into  
your home!

Visit  
clairedeco.com  
to learn  
more.

# ARTFIL • THE ART OF SUSPENSION

## AVAILABLE COLORS



**B**  
BRASS



**N**  
NICKEL

## OPTIONAL PRODUCTS



**HBP0450**  
CLASSIQUE CENTER SUPPORT



**HBP5400**  
S-HOOK



**HBP0350**  
BOLLA CENTER SUPPORT



**HBP5280**  
RING WITH PINCH CLIP



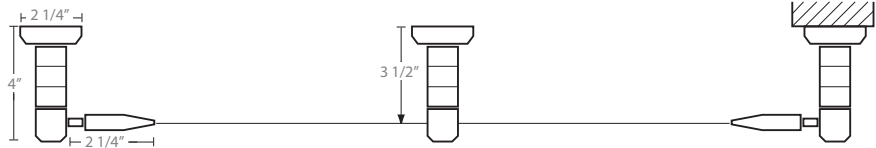
ALL KITS COME WITH 10 FEET OF WIRE.  
THERE IS NO EXTRA CHARGE FOR WIRE LENGTHS UP TO 16 FEET (MUST BE REQUESTED).

## ARTFIL CLASSIQUE



### KIT EQUERRE - HBA9542

WALL OR CEILING INSTALLATION (CENTER SUPPORT NOT INCLUDED)  
*Center support is required for lengths greater than 72"*



### KIT CONIQUE - HBA9543

INSIDE WALL MOUNT INSTALLATION  
*Center support is required for lengths greater than 72"*

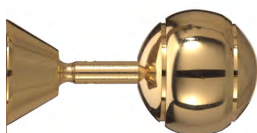
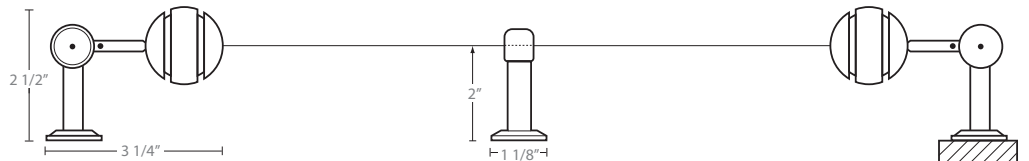


## ARTFIL BOLLA



### KIT EQUERRE BOLLA - HBA9433

WALL OR CEILING INSTALLATION (CENTER SUPPORT NOT INCLUDED)  
*Center support is required for lengths greater than 72"*



### KIT CONIQUE BOLLA - HBA9432

INSIDE WALL MOUNT INSTALLATION  
*Center support is required for lengths greater than 72"*

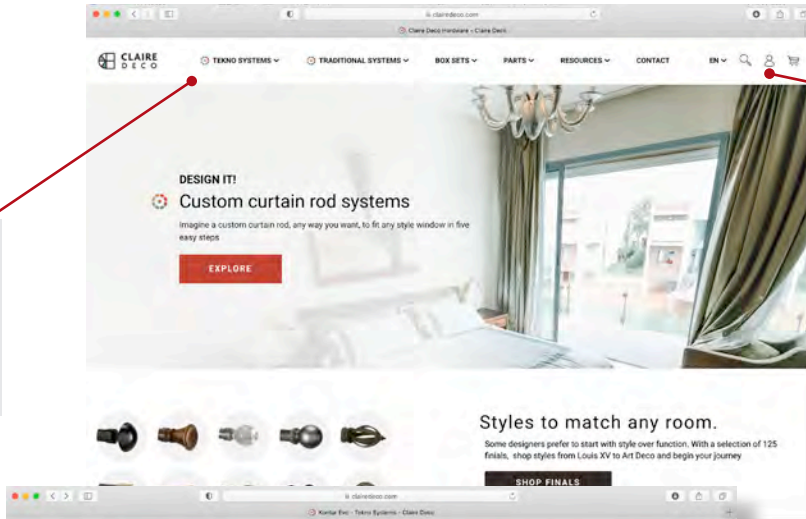


# ORDER ONLINE IN FIVE EASY STEPS

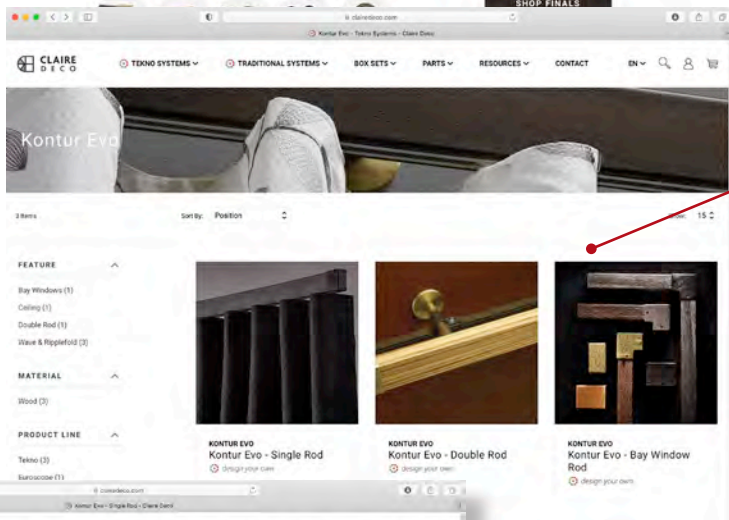
CLAIREDECO.COM

**1**  
Log in or if it is your first time, create an account here

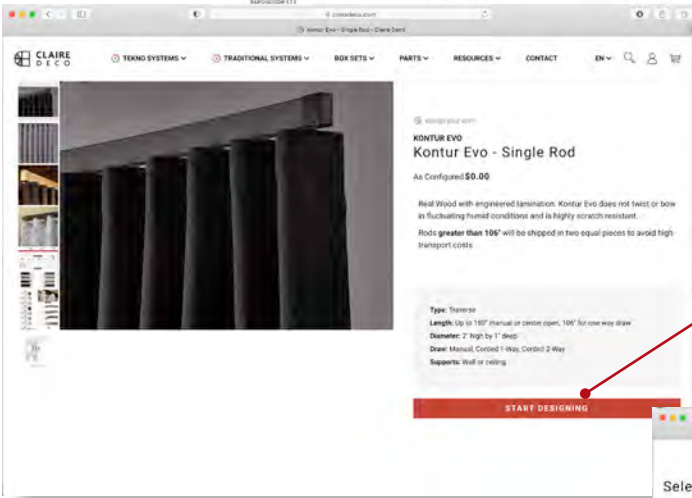
**2**  
Pick a product



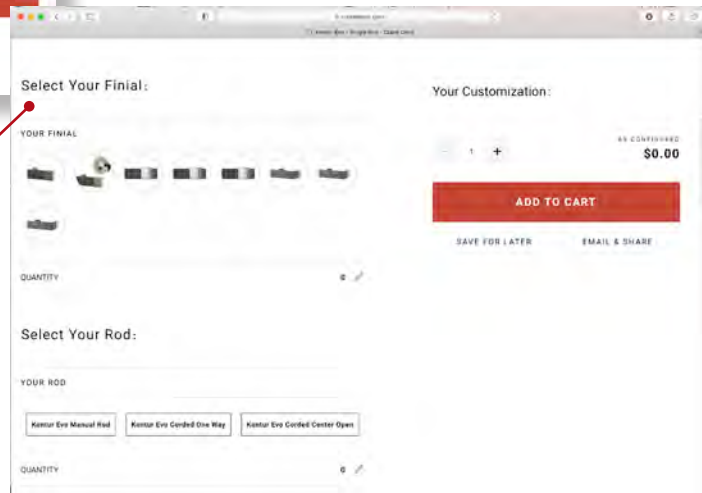
**3**  
Pick type of product



**4**  
Select START DESIGNING



**5**  
Chose the finial and then follow the sequence



**i**  
Questions?  
Comments?  
Need help?  
Visit  
clairedeco.com  
Call us  
514-340-1250  
or  
1-800-361-4584  
Send us an  
email  
info@  
clairedecoinc  
.com



**Midwest Designer Supply, Inc.**

CUSTOMER SERVICE: 1-262-523-2600 or 1-888-523-2611

FAX 1-262-524-1007

[customer.service@midwestdesignersupply.com](mailto:customer.service@midwestdesignersupply.com)